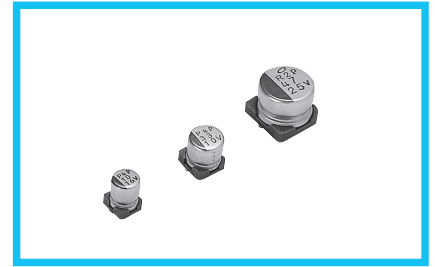


# UWG

Chip Type, Low Impedance



- Chip type, operating over wide temperature range of to  $-55$  to  $+105^{\circ}\text{C}$ .
- Designed for surface mounting on high density PC board.
- Applicable to automatic mounting machine fed with carrier tape.
- Compliant to the RoHS directive (2011/65/EU).

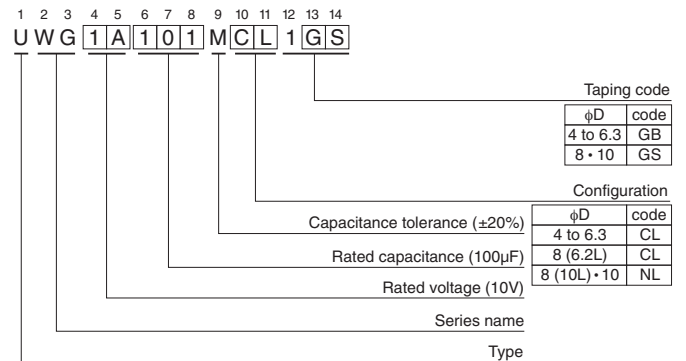
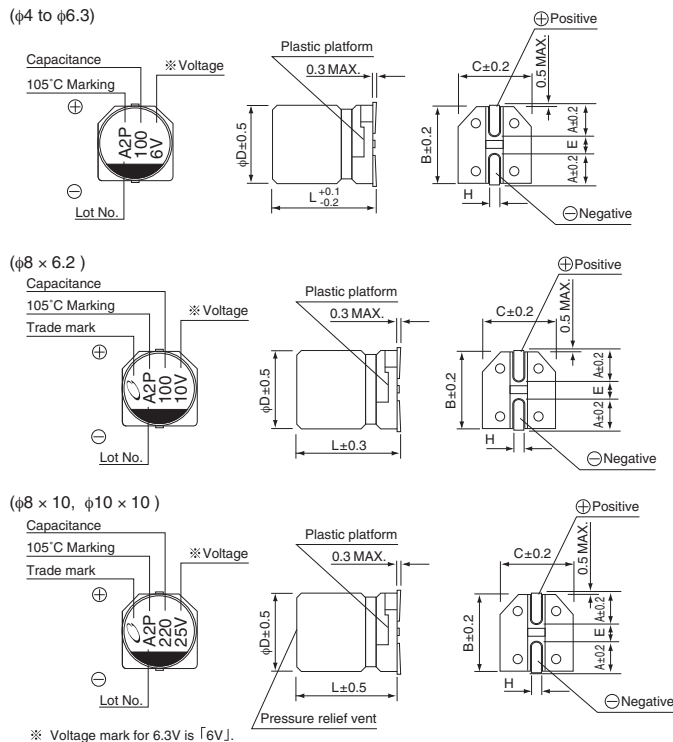


## Specifications

Item	Performance Characteristics					
Category Temperature Range	$-55$ to $+105^{\circ}\text{C}$					
Rated Voltage Range	6.3 to 50V					
Rated Capacitance Range	1 to $1500\mu\text{F}$					
Capacitance Tolerance	$\pm 20\%$ at 120Hz, $20^{\circ}\text{C}$					
Leakage Current	After 2 minutes' application of rated voltage, leakage current is not more than $0.01\text{CV}$ or $3(\mu\text{A})$ , whichever is greater.					
Tangent of loss angle (tan $\delta$ )	Measurement frequency : 120Hz at $20^{\circ}\text{C}$					
	Rated voltage (V)	6.3	10	16	25	35
Stability at Low Temperature	Measurement frequency : 120Hz					
	Rated voltage (V)	6.3	10	16	25	35
Endurance	The specifications listed at right shall be met when the capacitors are restored to $20^{\circ}\text{C}$ after the rated voltage is applied for 1000 hours at $105^{\circ}\text{C}$ .					
	Capacitance change	Within $\pm 20\%$ of the initial capacitance value				
Shelf Life	After storing the capacitors under no load at $105^{\circ}\text{C}$ for 1000 hours and then performing voltage treatment based on JIS C 5101-4 clause 4.1 at $20^{\circ}\text{C}$ , they shall meet the specified values for the endurance characteristics listed above.					
	Capacitance change	Within $\pm 10\%$ of the initial capacitance value				
Resistance to soldering heat	The capacitors are kept on a hot plate for 30 seconds, which is maintained at $250^{\circ}\text{C}$ . The capacitors shall meet the characteristic requirements listed at right when they are removed from the plate and restored to $20^{\circ}\text{C}$ .					
	tan $\delta$	Less than or equal to the initial specified value				
Marking	Black print on the case top.					
	Leakage current	Less than or equal to the initial specified value				

## Chip Type

## Type numbering system (Example : 10V 100 $\mu\text{F}$ )



$\phi\text{D} \times \text{L}$	4 × 5.4	5 × 5.4	6.3 × 5.4	8 × 6.2	8 × 10	10 × 10
A	1.8	2.1	2.4	3.3	2.9	3.2
B	4.3	5.3	6.6	8.3	8.3	10.3
C	4.3	5.3	6.6	8.3	8.3	10.3
E	1.0	1.3	2.2	2.3	3.1	4.5
L	5.4	5.4	5.4	6.2	10	10
H	0.5 to 0.8	0.5 to 0.8	0.5 to 0.8	0.5 to 0.8	0.8 to 1.1	0.8 to 1.1

(mm)

● Dimension table in next page.



## ■ Dimensions

Cap. ( $\mu$ F)	V		6.3			10			16		
	Code		0J			1A			1C		
10	100								4 × 5.4	3.0	60
22	220	4 × 5.4	3.0	60					5 × 5.4	1.8	95
33	330				5 × 5.4	1.8	95				
47	470	5 × 5.4	1.8	95					6.3 × 5.4	1.0	140
68	680	6.3 × 5.4	1.0	140					8 × 6.2	0.4	230
100	101	6.3 × 5.4	1.0	140	8 × 6.2	0.4	230	8 × 6.2	0.4	230	
150	151				8 × 6.2	0.4	230				
220	221	8 × 6.2	0.4	230	8 × 10	0.3	450		10 × 10	0.15	670
330	331	8 × 10	0.3	450					10 × 10	0.15	670
470	471				10 × 10	0.15	670		10 × 10	0.15	670
680	681								10 × 10	0.15	670
1000	102	10 × 10	0.15	670	10 × 10	0.15	670				
1500	152	10 × 10	0.15	670							

Cap. ( $\mu$ F)	V		25			35			50		
	Code		1E			1V			1H		
1	010					4 × 5.4	3.0	60	4 × 5.4	5.0	30
2.2	2R2					4 × 5.4	3.0	60	4 × 5.4	5.0	30
3.3	3R3					4 × 5.4	3.0	60	4 × 5.4	5.0	30
4.7	4R7					4 × 5.4	3.0	60	5 × 5.4	3.0	50
6.8	6R8	4 × 5.4	3.0	60	5 × 5.4	1.8	95				
10	100				5 × 5.4	1.8	95	6.3 × 5.4	2.0	70	
22	220	6.3 × 5.4	1.0	140	6.3 × 5.4	1.0	140	8 × 6.2	0.7	120	
33	330	6.3 × 5.4	1.0	140	8 × 6.2	0.4	230	8 × 10	0.6	300	
47	470	8 × 6.2	0.4	230	8 × 6.2	0.4	230	10 × 10	0.3	500	
68	680	8 × 10	0.3	450							
100	101	8 × 10	0.3	450	10 × 10	0.15	670	10 × 10	0.3	500	
220	221	10 × 10	0.15	670	10 × 10	0.15	670	10 × 10	0.3	500	
330	331	10 × 10	0.15	670	10 × 10	0.15	670	Case size $\phi$ D × L (mm)	Impedance	Rated ripple	
470	471	10 × 10	0.15	670							

Max. Impedance ( $\Omega$ ) at 20°C 100kHz  
Rated ripple current (mA<sub>rms</sub>) at 105°C 100kHz

## ● Frequency coefficient of rated ripple current

Frequency	50 Hz	120 Hz	300 Hz	1 kHz	10 kHz or more
Coefficient	0.35	0.50	0.64	0.83	1.00

- Taping specifications are given in page 23.
- Recommended land size, soldering by reflow are given in page 18, 19.
- Please select UUJ(p.158) if high C/V products are required.
- Please refer to page 3 for the minimum order quantity.